

**Food Processor  
 Stainless Steel Cutter Mixer - 17.5 LT - 2  
 Speeds with Microtoothed Blade, Bowl  
 and Scraper**

ITEM # \_\_\_\_\_

MODEL # \_\_\_\_\_

NAME # \_\_\_\_\_

SIS # \_\_\_\_\_

AIA # \_\_\_\_\_



600086 (K180S2)

\* NOT TRANSLATED \*

**Main Features**

- Productivity suitable for 100-300 meals per service, up to 8 kg per cycle.
- Food processor allows fast liquidizing, mixing, mincing, chopping and pastry-making.
- Delivered with:
  - 17.5 liter stainless steel bowl with max liquid level indication to avoid spillage
  - micro toothed perforated blade
  - scraper
- Angled perforated knives and conical base of the bowl ensure consistent mixing.
- Lid with central opening to add ingredients in mid-cycle.
- Base fixed cover for a better handling.
- Cover metal frame to ensure seal water tightness to avoid leakage.
- All parts in contact with food are removable without tools and completely dismountable.
- Pulse function for coarse chopping.

**Construction**

- 304 AISI stainless steel bowl with leak resistant spout and handles, easy to manage.
- Scraper with SS handle, easy to dismount.
- 2 speeds: 1500 and 3000 rpm.
- Power: 3600 watts.
- IP65 touch button control panel.
- Cover handle with double safety locking system.
- Transparent BPA free cover incorporates a magnetic safety system which stops the machine if lid is not properly closed.
- A safety device requires to press the start button to restart the machine after a power cut.
- Asynchronous silent industrial motor for heavy duty and longer life.

**Included Accessories**

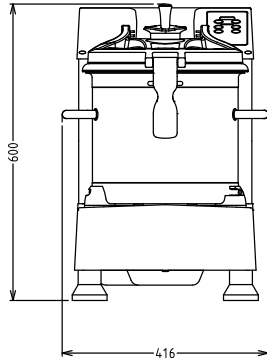
- 1 of - NOT TRANSLATED - PNC 650046
- 1 of - NOT TRANSLATED - PNC 650047
- 1 of - NOT TRANSLATED - PNC 650074

**Optional Accessories**

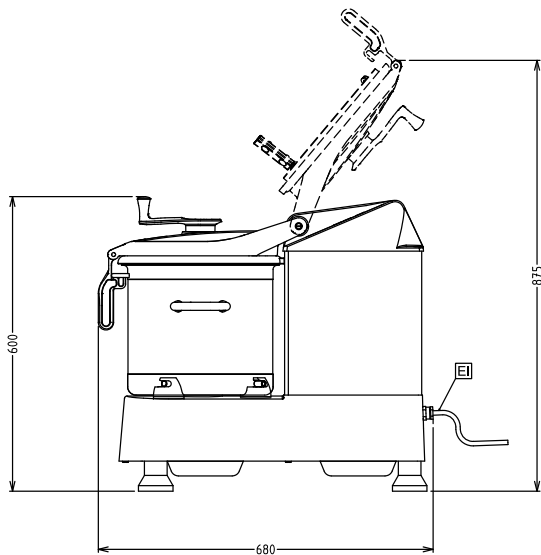
- - NOT TRANSLATED - PNC 650046
- - NOT TRANSLATED - PNC 650047
- - NOT TRANSLATED - PNC 650074
- Stainless steel mobile stand. Height: 730 mm PNC 653017
- Smooth blade rotor for 17,5 lt cutter mixer PNC 653119
- Serrated blade rotor for 17,5 lt cutter mixer PNC 653120
- Serrated blade rotor for meat for 17,5 lt cutter mixer PNC 653539

APPROVAL: \_\_\_\_\_

Front

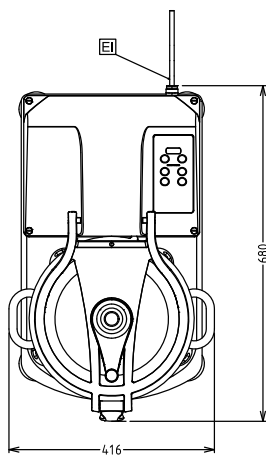


Side



EI = Electrical inlet (power)

Top



**Electric**

Supply voltage:	380-415 V/3 ph/50 Hz
Electrical power max.:	3.6 kW
Total Watts:	3.6 kW

**Capacity:**

Performance (up to):	8 kg/Cycle
Capacity:	17.5 litres

**Key Information:**

External dimensions, Width:	416 mm
External dimensions, Depth:	680 mm
External dimensions, Height:	603 mm
Shipping weight:	80 kg